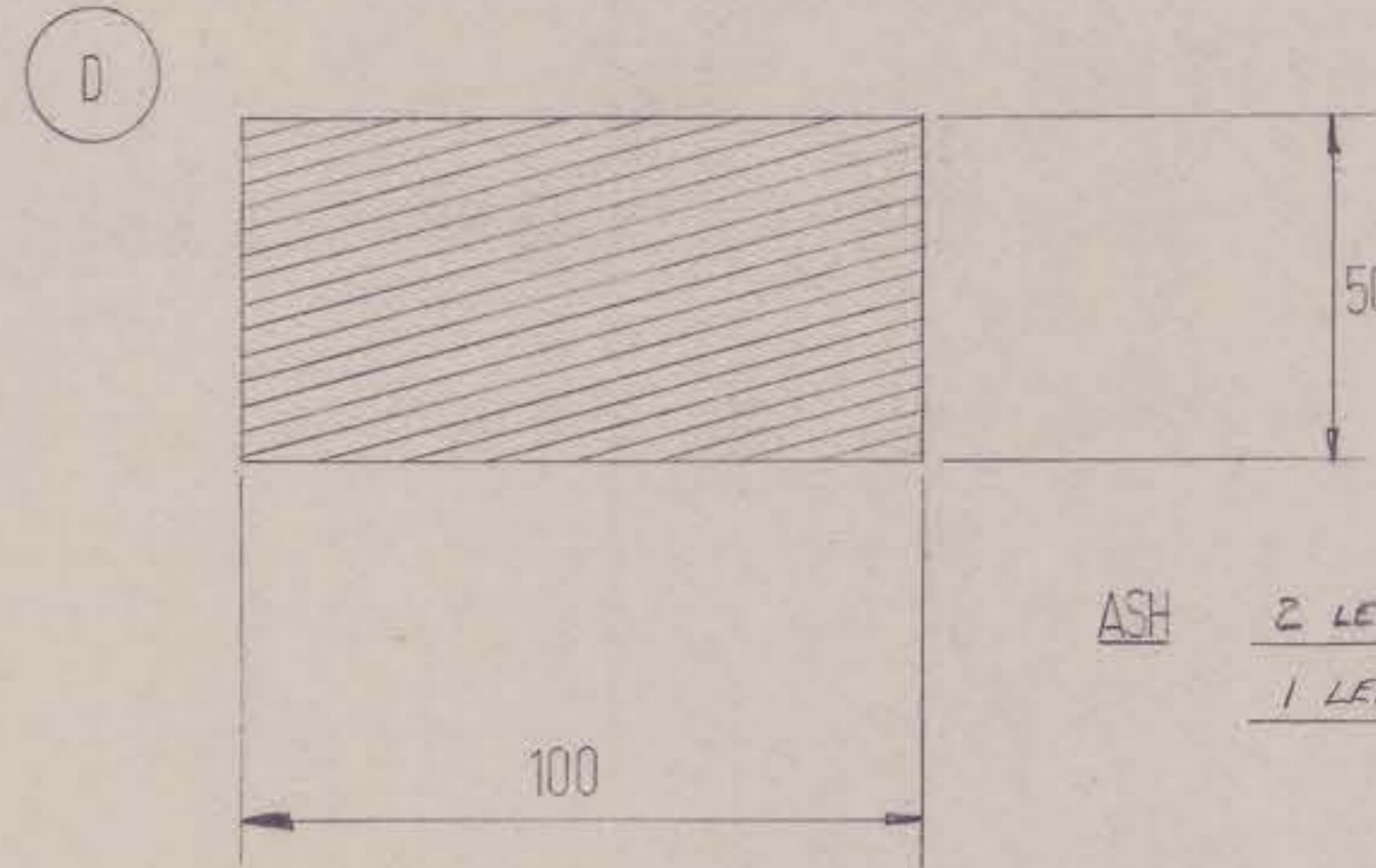


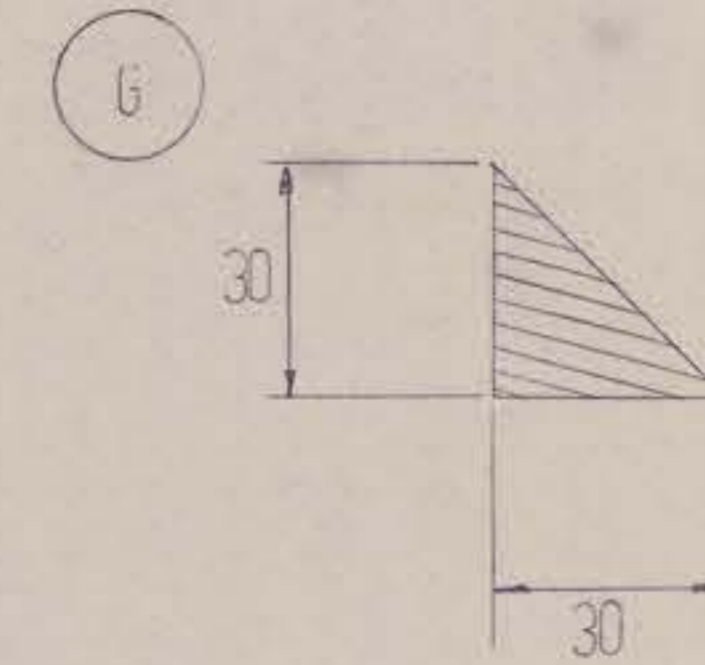
ASH 12 LENGTHS AT 1800

BONNET SIDES	2	890
WINDSCREEN PILLARS	2	830
ROOF EDGE	2	680
RACK FRONT	2	75
RACK TOP	2	840
REAR PILLAR	2	910
NOSE	2	80
TAIL	2	80
FRONT - REAR LOWER	4	180
FRONT / REAR UNDER	4	270
FRONT WHEELARCH	2	270
MID	2	290
REAR WHEELARCH	2	290
SILLS	2	1405
BONNET NOSE	1	1500
ROOF STIFFENER	1	1100
DASH TOP	1	1310

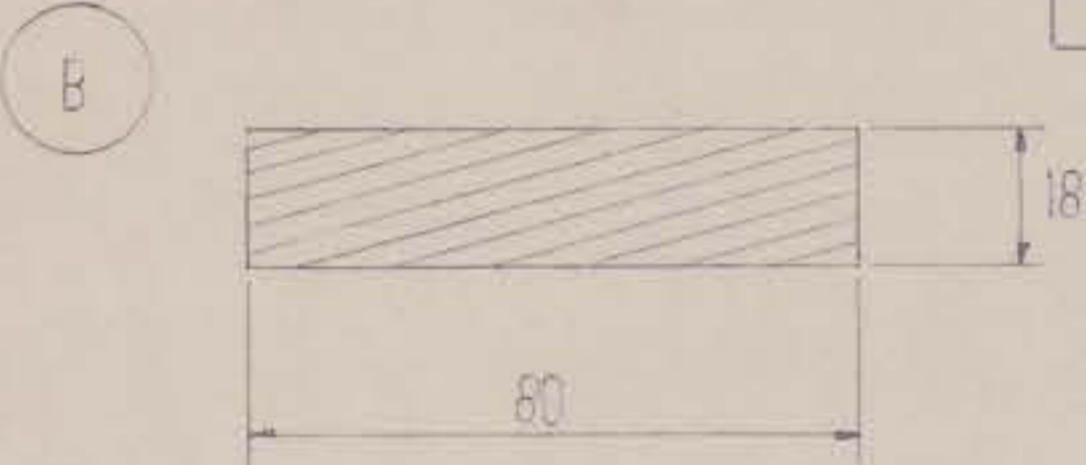
(440, 6 wheeler)



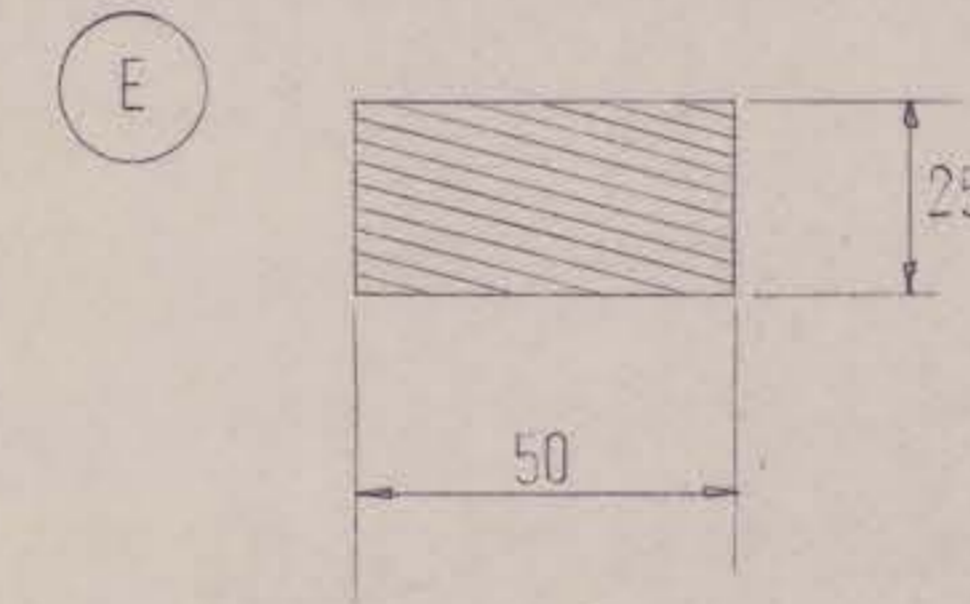
ASH 2 LENGTHS AT 1175
1 LENGTHS AT 1255



MAHOGANY 6 LENGTHS AT 1800



ASH 2 LENGTHS AT 3125 (4 wheeler) 3725 (6 wheeler)



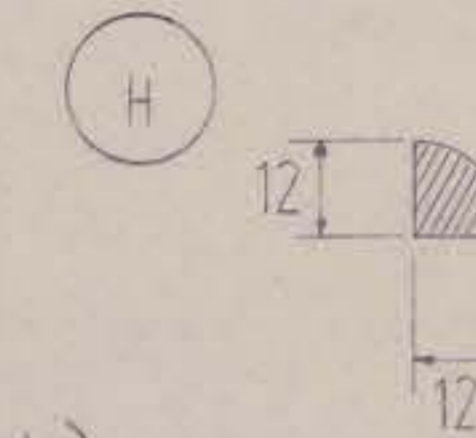
MAHOGANY 13 LENGTHS AT 1600

1 SCREEN PILLAR	2	1270
2 ROOF SIDES	2	1590
3 REAR PILLAR	2	940
4 DASH SIDES	2	240
5 ROOF FRONT	1	1332
6 ROOF REAR	1	1332
7 BONNET SIDES	2	880
8 REAR BACKRESTS	2	950
9 METRO REAR SUB-MOUNTS	2	410

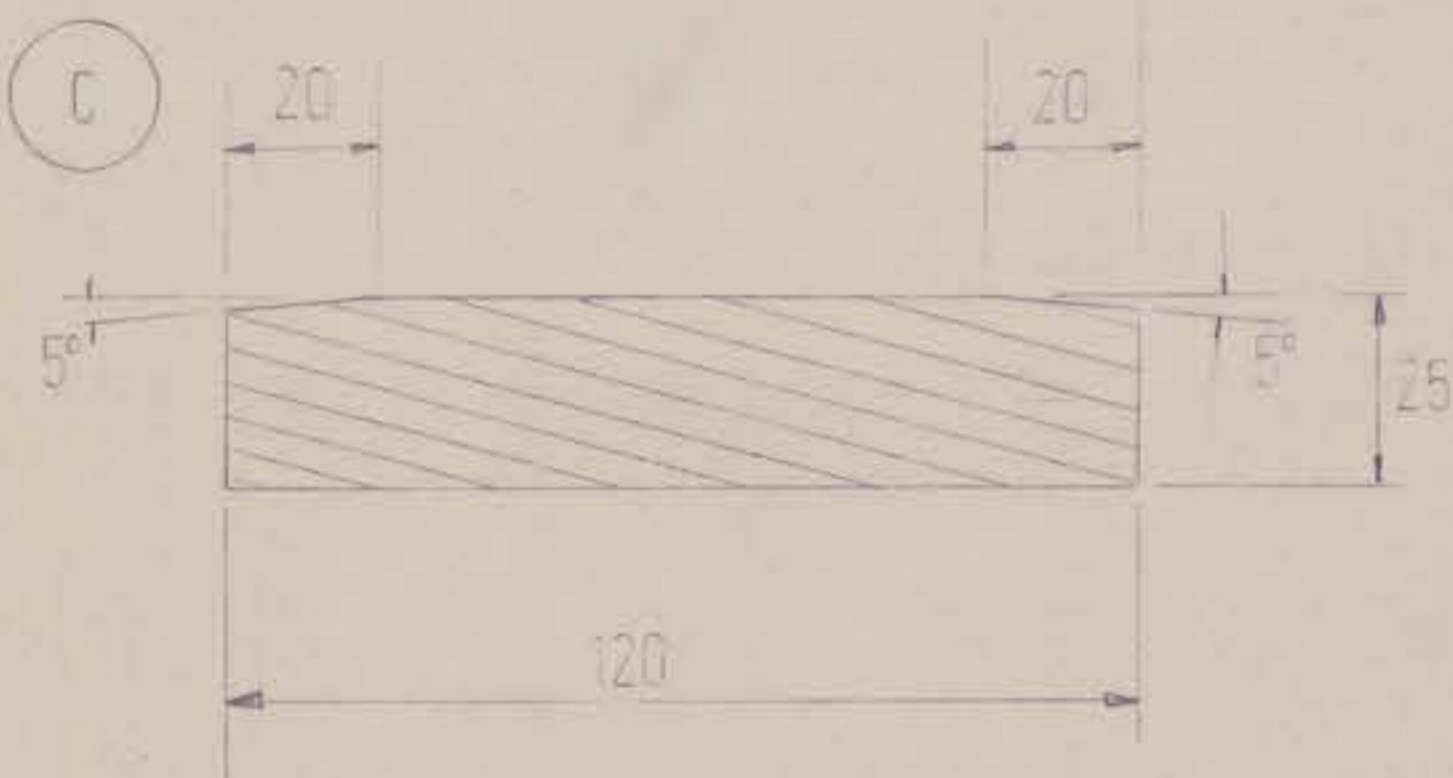
(2190, 6 wheeler)

(1550, 6 wheeler)

(4, 6 wheeler)

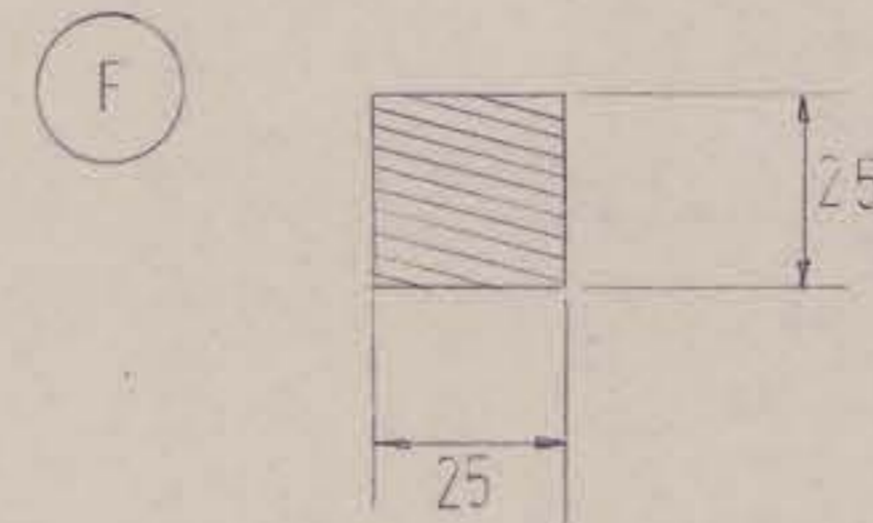


RAMIN 4 LENGTHS AT 1800



MAHOGANY 2 LENGTHS AT 3125 (4 wheeler) 3725 (6 wheeler)

2 LENGTHS AT 1290 (1308 Metric)



MAHOGANY 16 LENGTHS AT 1800 (4 wheeler)

20 LENGTHS AT 1800 (6 wheeler)

Issue			

This drawing is confidential and is the property of William Towns Limited. It must not be copied or shown to third parties without the consent of the company.

Title
Sections Hardwood Hustler

Scale **1:1**

No. **SM791**

Drawn

Date **6:8:80**

The Manor House, Stretton on Fosse, Moreton in Marsh, Gloucestershire GL5695B, Shipston on Stour GL1619

william towns limited